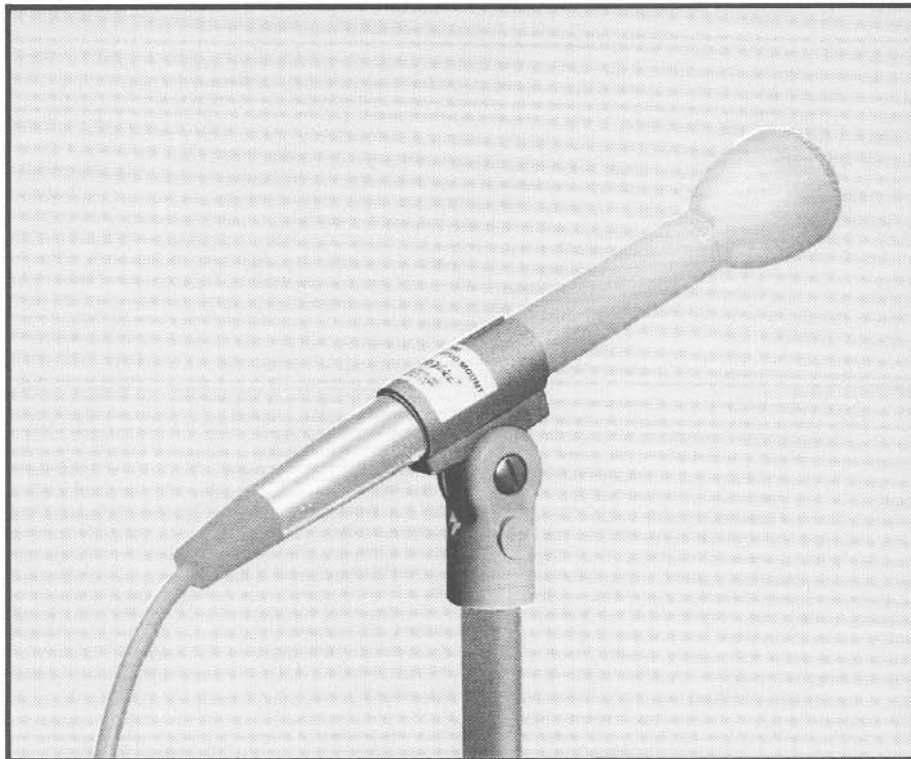


**Electro-Voice®**

a MARK IV company



## Model 340 Security Clamp

### SPECIFICATIONS

#### Dimensions:

- 23.1 mm (0.91 in.) wide,
- 71.1 mm (2.80 in.) high,
- 41.4 mm (1.63 in.) long

#### Weight:

- 74 g (2.61 ounces)

#### Materials:

- Pressure cast zinc and polypropaline

#### Locking Devices:

- (1) Conical headed hex socket set screw (#6—32)
- (2) Hex socket set screw/pressure shoe (#6—32)

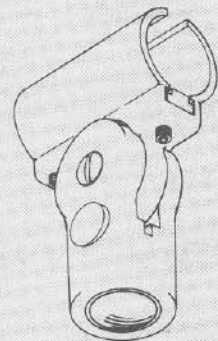
### DESCRIPTION AND APPLICATIONS

The Model 340 security clamp is designed to allow mounting of any cylindrical microphone with 3/4-inch case diameter on a microphone stand with 5/8-inch 27 threads. The security clamp mounts the microphone so that it may not be removed easily from the stand. Several measures have been provided by which the microphone may be secured to positively resist attempts at theft and vandalism.

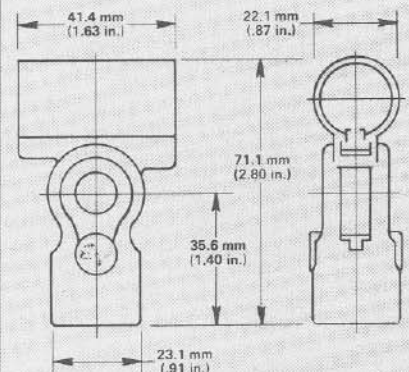
Studies have shown that, to be successful, a microphone theft must only take a few seconds from the beginning to the completion of the act. If the thief has to spend time working to remove the microphone, or if special tools are required, nine out of ten theft attempts will thwarted.

The microphone is inserted into the tube of the clamp. (Note the U-shaped opening at the top of the tube. See Figure 1. This is to provide access to the rolloff switch in the RE10, RE11, RE15, and RE16.) After the microphone has been inserted into the security clamp tube, a standard size hex socket wrench (supplied) may be used to tighten the hex socket set screw at the front of the tube. The hex socket set screw pushes up on a metal shoe, which in turn presses against the microphone, securing it in place. Considerable physical effort will now be required to remove the microphone from the security clamp.

In cases where an additional final measure of security is needed, there is a conical headed hex socket set screw at the rear bottom of the 340 which, when tightened, bites directly into the case of the microphone. The combination of both hex socket set screws together resists even the most determined efforts to remove the microphone.



**FIGURE 1**  
View showing two locking screws



**FIGURE 2 — Dimensions**



**ELECTRO-VOICE, INC., 600 Cecil Street, Buchanan, Michigan 49107**

MANUFACTURING PLANTS AT ■ BUCHANAN, MI ■ NEWPORT, TN ■ SEVIERVILLE, TN ■ REDMOND, WA ■ GANANOQUE, ONT  
© Electro-Voice, Inc. 1988 ■ Litho In U.S.A. Part Number 530246—248

a MARK IV company